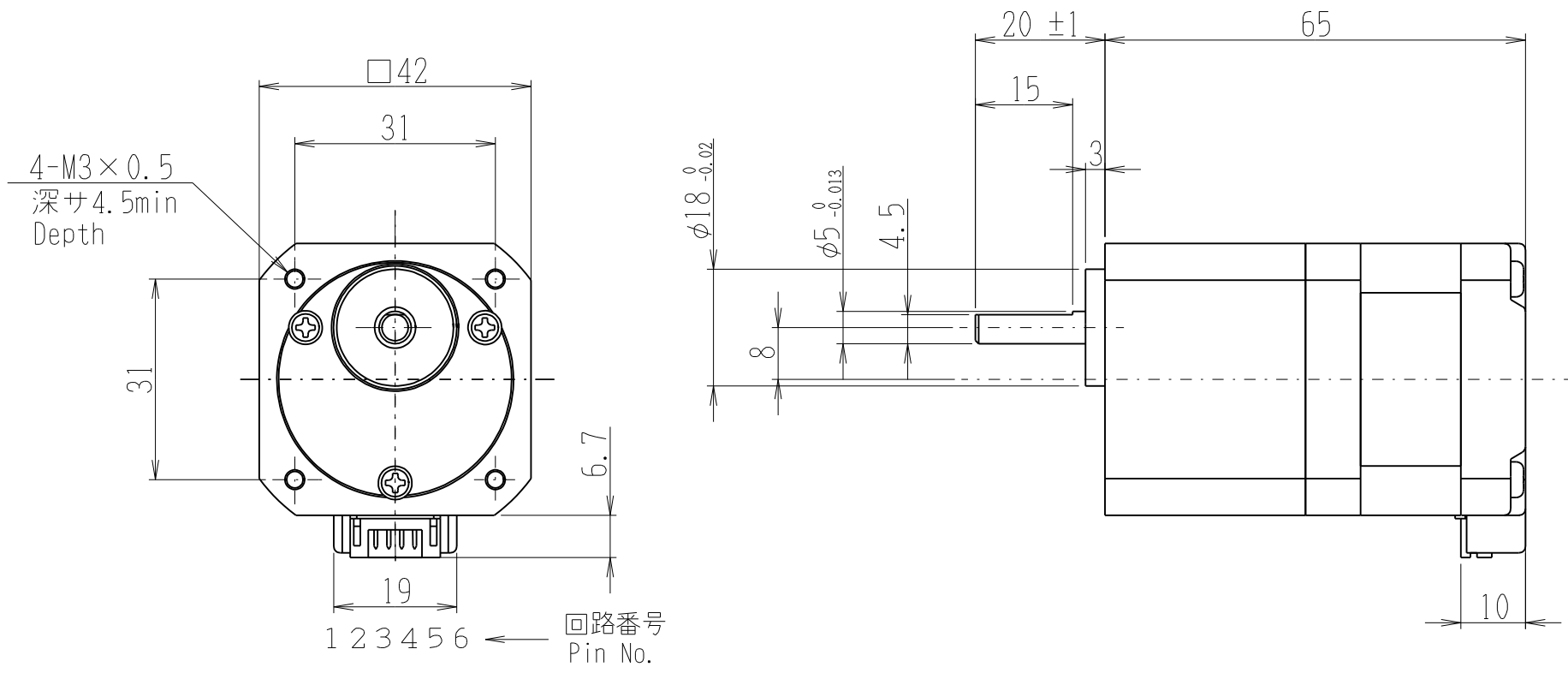


PDSA-UD



Header	JST:S 6B-PH-K-S
Mating connector	JST:PHR-6