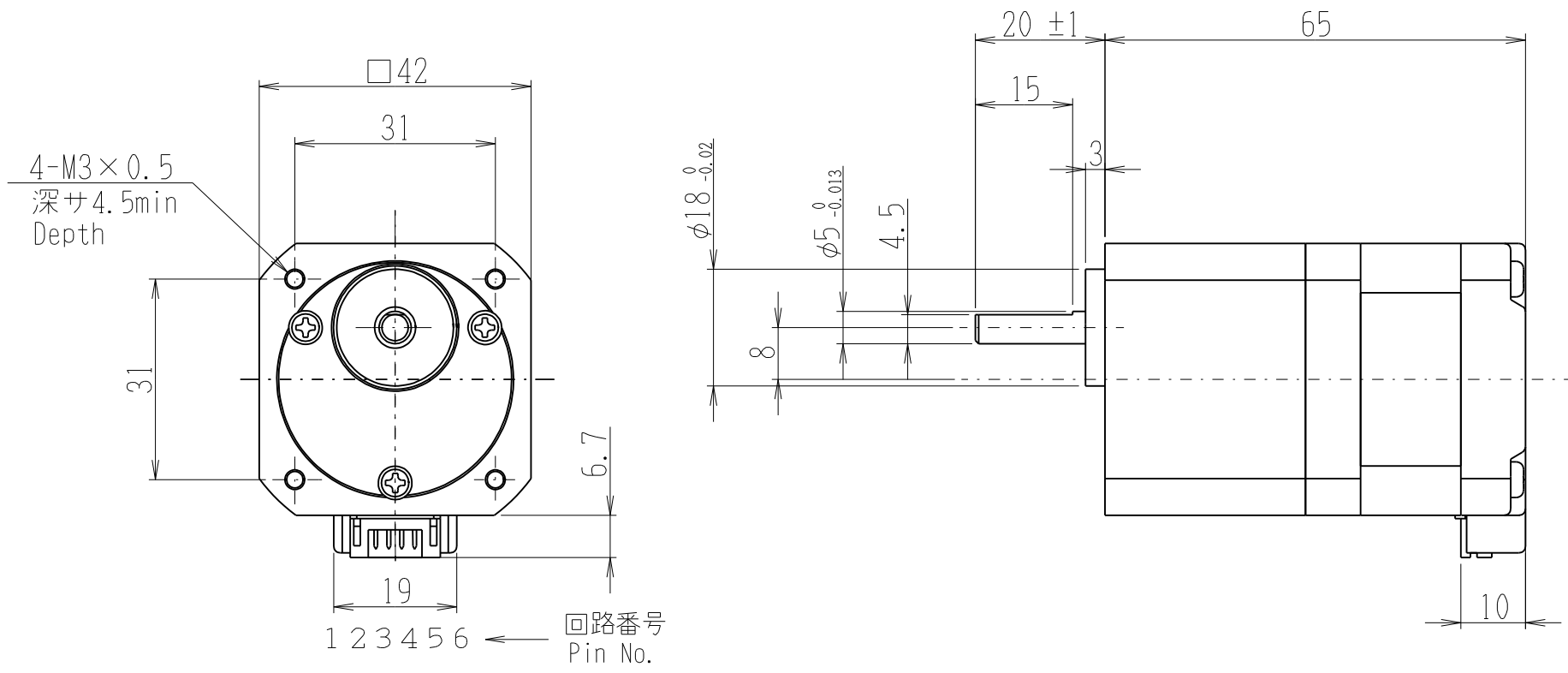


PDSA-UD



| | |
|------------------|-----------------|
| Header | JST:S 6B-PH-K-S |
| Mating connector | JST:PHR-6 |