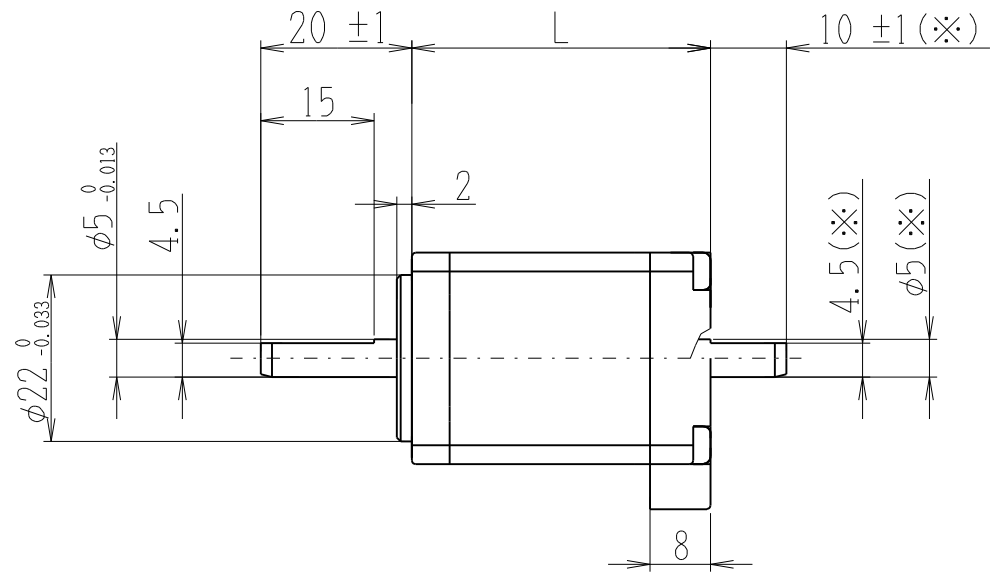
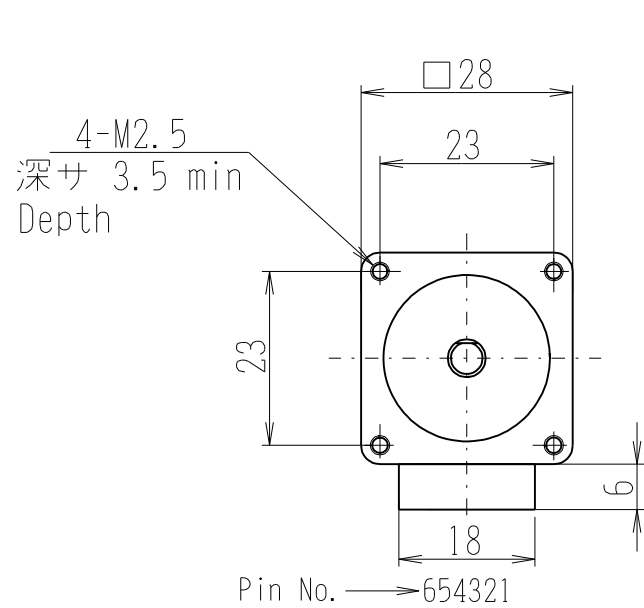


PDSA-UD

(C)Shinano Kenshi Co.,Ltd. All rights reserved.



※両軸タイプのみの寸法です
Dimensions apply to double shaft models.

| | |
|------------------|------------------------|
| Header | MOLEX INC : 50212-8000 |
| Mating connector | MOLEX INC : 51065-0600 |

| 品名 Model No. | モータ長L(mm) Motor length |
|-----------------|---------------------------|
| PMSA-U28D1 | 31.5 |
| PMSA-U28D2 | 39.5 |
| PMSA-U28D4 | 50.5 |